

602 Tensioner

Art.nr 760201

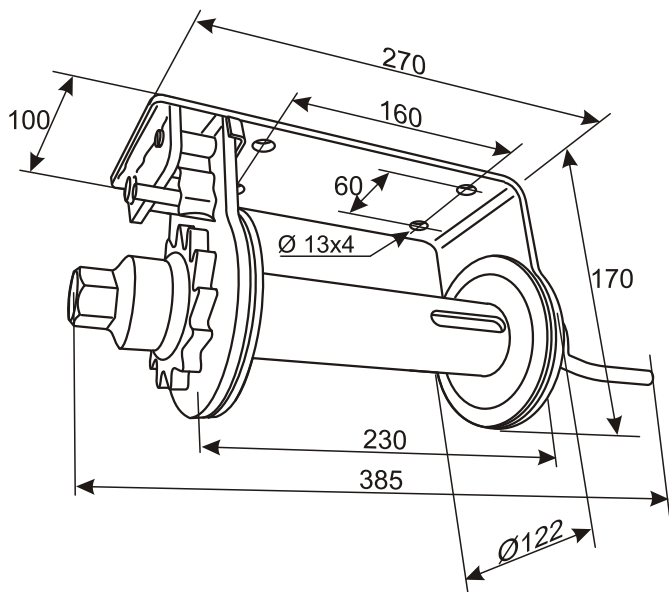


- ExTe 602 is designed to meet stringent requirements to ensure safe and securely held cargoes.
- Powerfully built axle with a hole for a tension bar and a hexagon for bar with a ratchet wrench.
- Can be supplied with a band or different tensioning combinations.
- Spring-loaded locking device provides great security.
- For attaching to a platform or frame, welded or bolted.
- Magazine for a 10 m band.

ExTe

Securing cargo. We invented the concept.

Measurements



Accessories



Hook
(for welding)
780603



Band 10m
5000 kp
780050



Band 10m
6000 kp
780060

Technical information

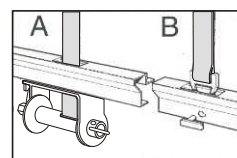
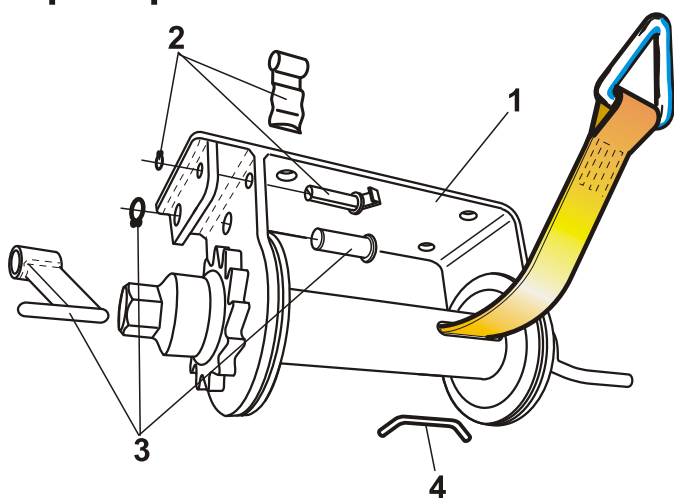
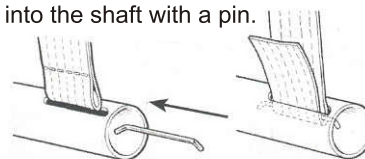


Fig A: Shows the tensioning device attached to the underside of the platform, with the band passing through the platform profile.
Fig B: On the opposite side, the band fastener is mounted with a cotter, which is locked in one simple operation.

Spare parts



The band is locked into the shaft with a pin.



The number of the black threads in the band indicates resistance. Original marking is found on the bands.
Note. The tensioning strength is limited by the angle of the direction of pull and by the radio on the goods.

Maintenance

Check the band regularity. It is important to replace the band if damage is discovered or if it has been subjected to excessive stretching. Never join two bands together. Clean the tensioning device regularly. Always use original bands.

Note. Tension the band as much as the load permits. A well-tensioned band ensures better lashing and less wear.

Check to see that the cargo has not shifted before you release the catch.

Pos	No	Description	Note
1	760201	Tensioning device 602	
2	760250	Spare part kit, spring	
3	760252	Spare part kit, catch	
4	780110	Pin	

ExTe